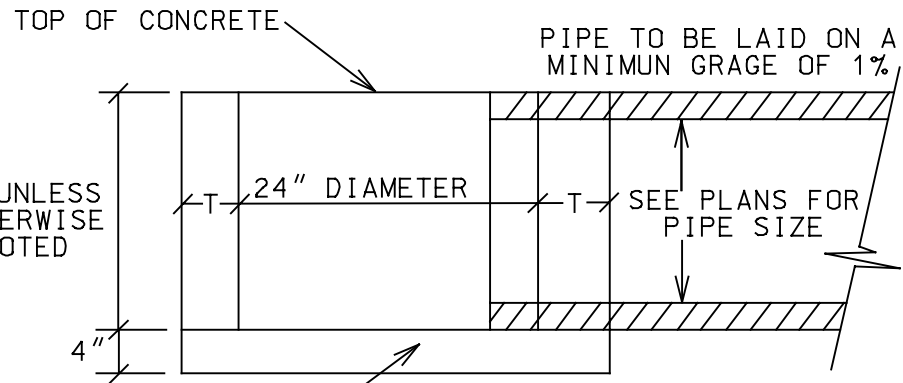
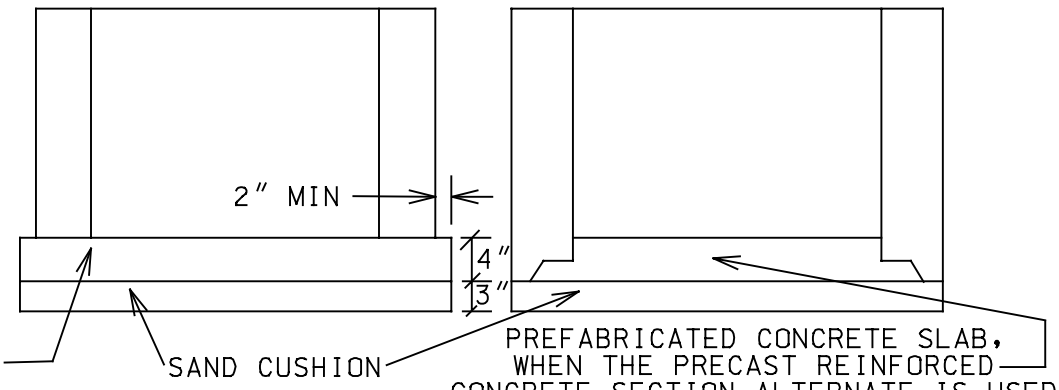


PLAN

ALTERNATE MATERIALS FOR WALLS	T
CAST IN PLACE CONCRETE	6"
PRECAST REINFORCED CONCRETE SECTION	3"



SECTION A-A



ALTERNATE METHODS

SCALE = N.T.S.

MAINE TOWNSHIP HIGHWAY DEPARTMENT

TYPE A INLET



REVISIONS
